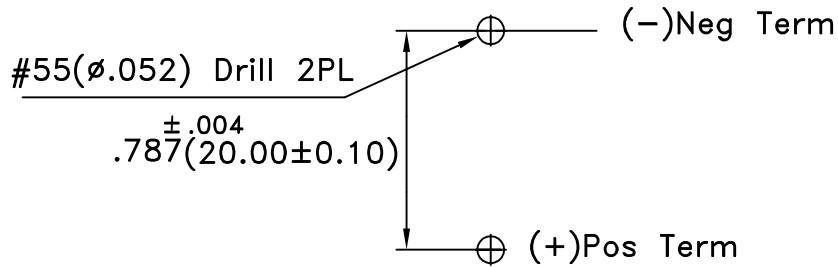
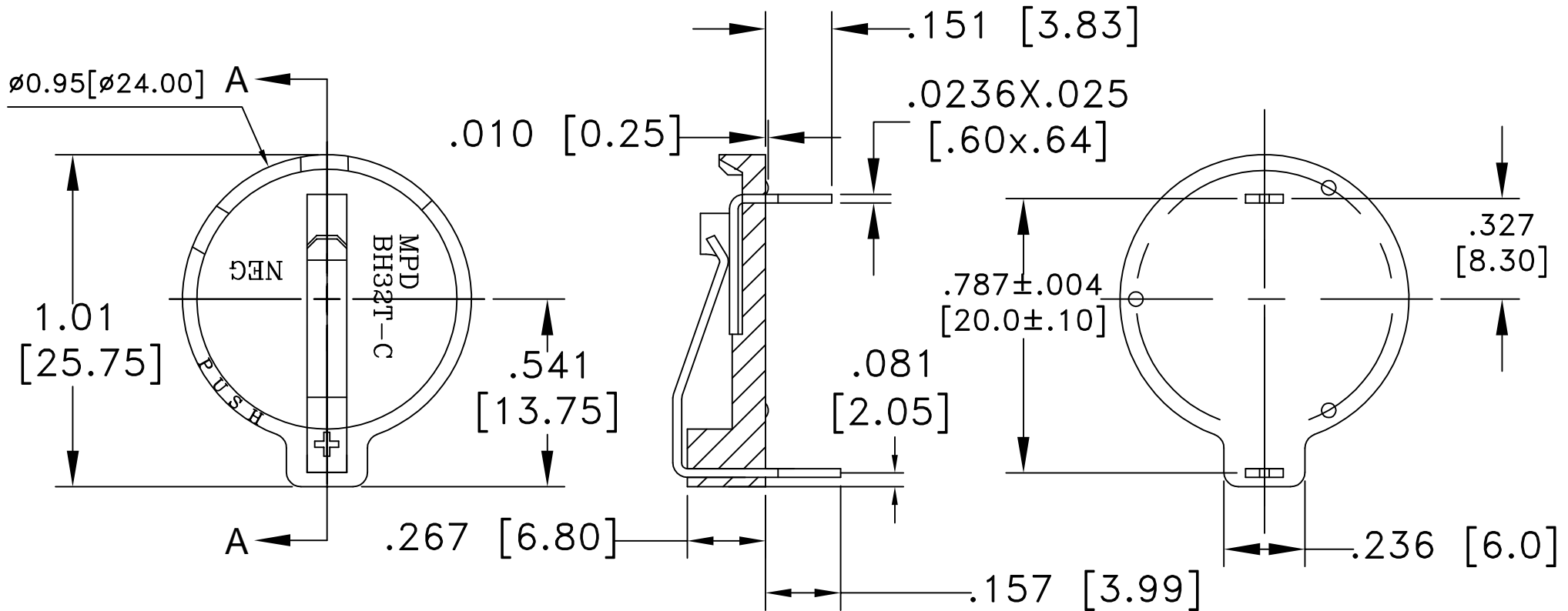


PCB LAYOUT




Date	SYM	REVISION RECORD	AUTH	DR.	CK.
10/22/05	B	ADDED "ROHS COMPLIANT"	T.B.	B.S.	
11/05/05	C	REDRAWN ALL VIEWS	T.B.	B.S.	
3/04/06	D	DIM. 1.01 WAS .01	T.B.	B.S.	
1/13/07	E	ADDED DIM. 0.787, 0.327, 0.236 & 0.541	T.B.	B.S.	



SPECIFICATIONS

- \*Holder material- Black PBT
- \*Flammability rating-UL94V-0, UL file no. E53829
- \*Contacts :  
 Positive: 0.0236" Thick PHOS-BRONZE, Nickel Plated  
 Negative: spring tempered Stainless Steel, Nickel Plated
- \*Temperature Range: -40°C to +140°C
- ROHS COMPLIANT

Tolerance (Except as noted)	 Memory protection Devices, Inc 200 Broad Hollow Road, Farmingdale, New York 11735		
decimal ±.5 (.020)	Scale	Drawn By B.S.	
Fractional ± .8 (.030)	Title	CR2032 OR BR2032 BATTERY	
Angular ± 3°	Date	Drawing Number	
	1/13/07	BH32T-C	
		Approved By T.B.	